

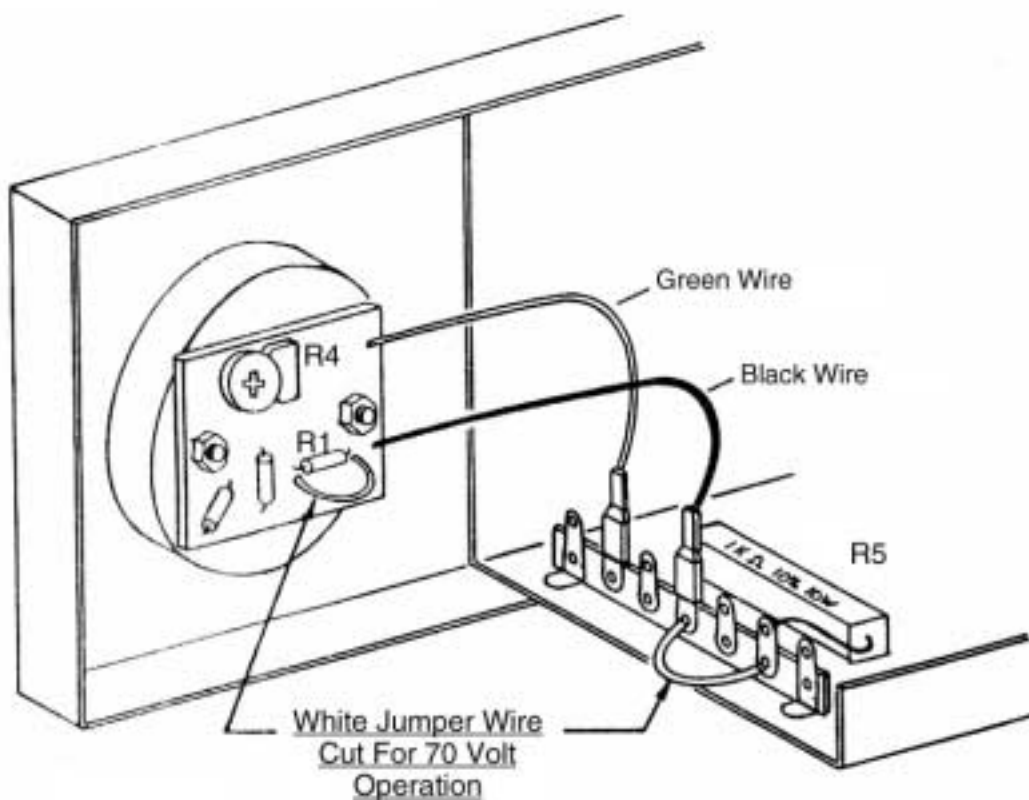


Atlas Sound Monitor Panels are designed to monitor 25 volt or 70.7 volt speaker lines.

The monitor panel as shipped from the factory is wired to monitor 25 volt speaker lines. It is converted to 70.7 volt operation by cutting the white jumpers across resistors R2 & R5. Resistor R1 is located on the PC Board attached to the VU meter. Resistor R5 is on the terminal strip located on the sub-panel.

The VU meter is factory calibrated to read 0dB with a 25 volt peak sine wave input. By removing the jumper across resistor R1, the meter will read 0dB with a 70 Volt peak input. The meter sensitivity can be field adjusted by means of the pot (R4) on the VU meter PC Board.

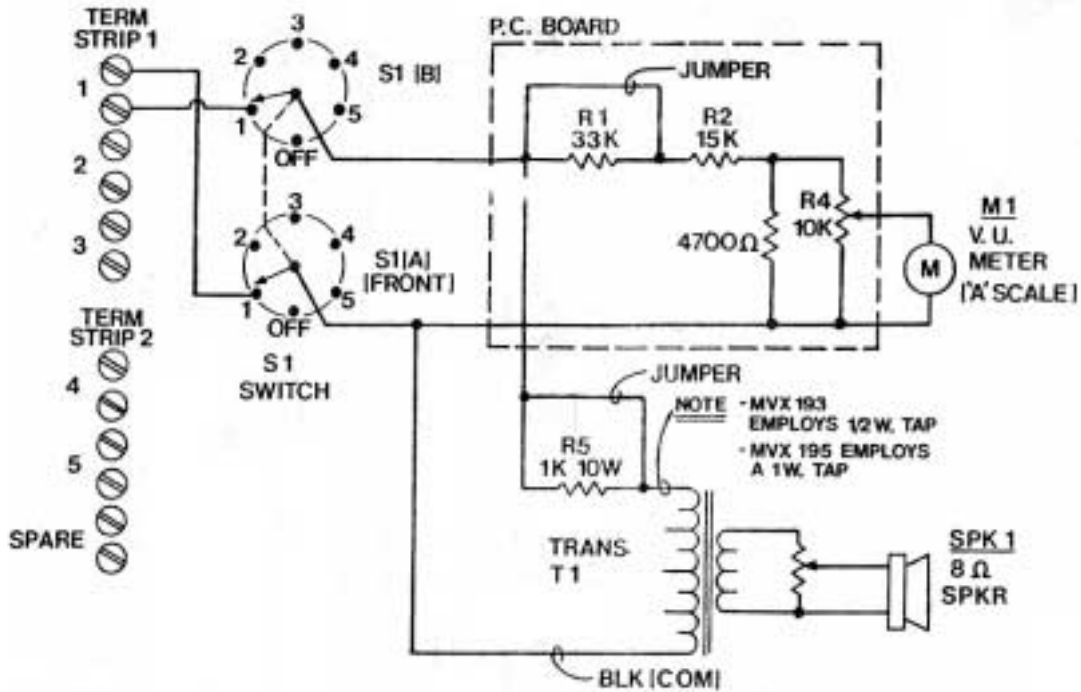
The speaker lines to be monitored are connected to the screw terminals on the back of the panel. Terminal numbers correspond to the like numbered switch positions. The terminals labeled "SPR" are spare blank terminals.



Specifications are subject to change without notice

www.AtlasSound.com





PARTS LIST

REFERENCE	P/N	DESCRIPTION
R1	110591	RESISTOR 33K, 1/2W 10%
R2	110671	RESISTOR 15K, 1/2W 10%
R3	110485	RESISTOR 4.7K, 1/2W 10%
R4	121274	TRIM POT 10K
R5	110663	RESISTOR 1K, 1/2W 10%
R6	142239	POT 50 OHM 3W 20%
M1	125521	VU METER (A SCALE)
	100471	PC BOARD FOR VU METER. INCLUDES R1 THRU R4
S1	121541	ROTARY SWITCH, 2 POLE 6 POSITION
TS1, TS2	111678	SCREW TERM. STRIP, 6 POINT
	120456	KNOB, BLACK W/ALUM. INLAY

The following parts are dependent on the model number of the monitor panel

SPEAKER (SPK1)

REFERENCE	P/N	DESCRIPTION
MVX-193	125512	3" 8 OHM
MVX-195	FC104	4" 8 OHM

TRANSFORMER (T1)

REFERENCE	P/N	DESCRIPTION
MVX-193	LT-25	5 WATT 25 VOLT TRANSFORMER
MVX-195	HT-82	8 WATT 25 VOLT TRANSFORMER

Specifications are subject to change without notice



www.AtlasSound.com

1601 JACK MCKAY BOULEVARD ENNIS, TEXAS 75119 U.S.A. • TELEPHONE: (800) 876-3333 • FAX: (800) 765-3435

©2001 ATLAS SOUND LP

Printed in U.S.A.

00901

ATS000807 RevB 9/01

PN 116378